

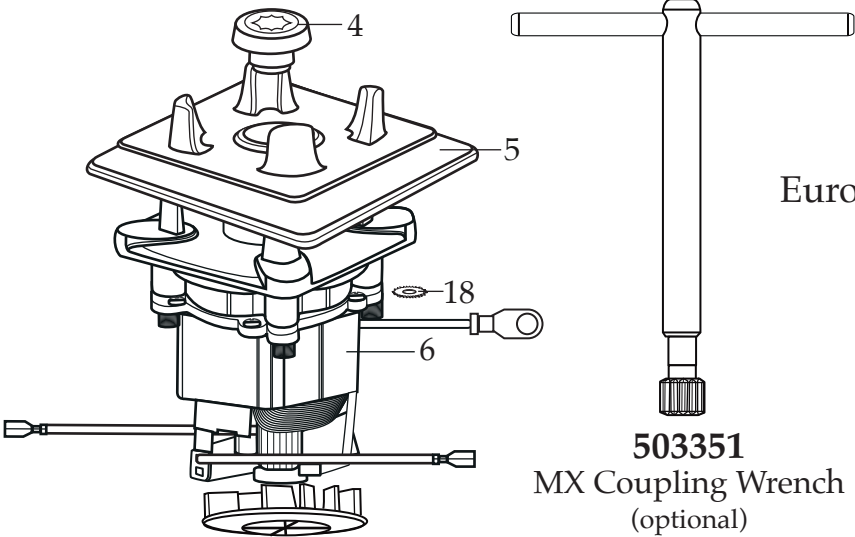
# WARING COMMERCIAL

Europe Xtreme Blenders with Paddle Switch  
& 48 oz. Stackable Container

## MX1000XTPEE

## MX1000XTPSEE

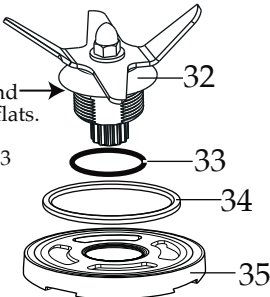
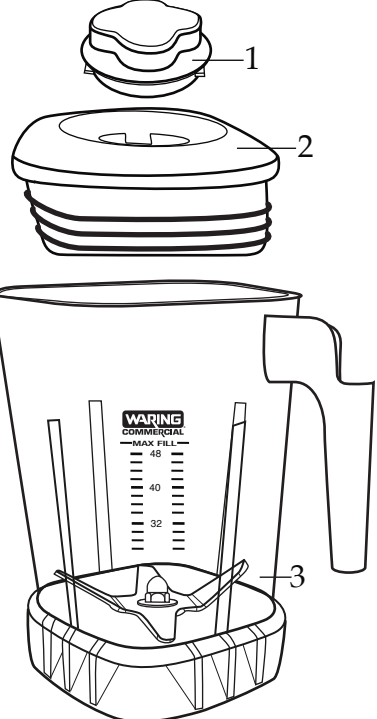
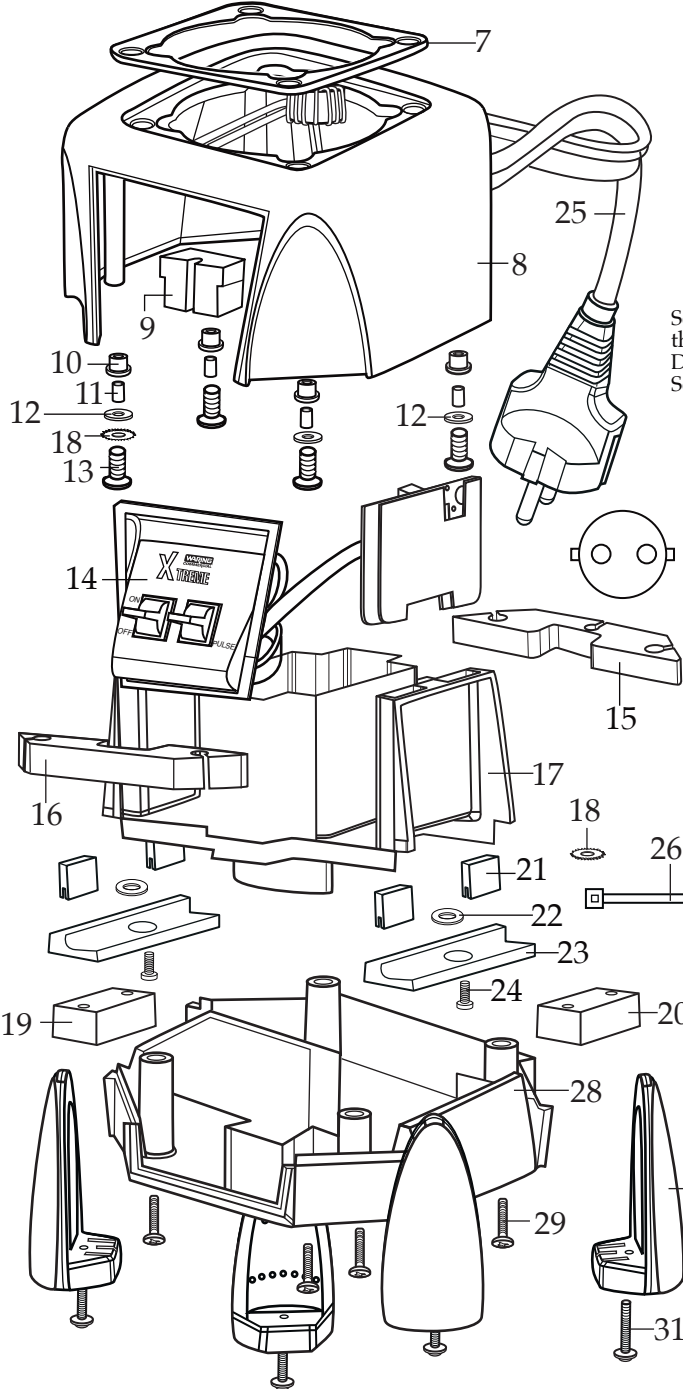
Sound Enclosure



**503351**  
MX Coupling Wrench  
(optional)



**036743**  
Brush/Spring  
(2 required)

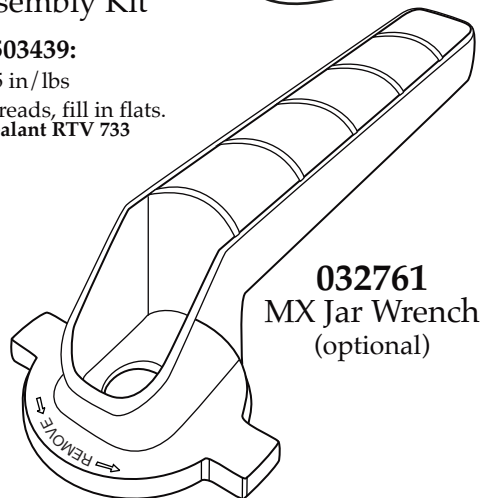


Sealant all round threads, fill in flats.  
Dow Corning Sealant RTV 733

**030889**  
Blending Assembly Kit

**Notes for 503439:**  
Torque 100-125 in/lbs

Sealant all around the threads, fill in flats.  
Dow Corning Sealant RTV 733



**032761**  
MX Jar Wrench  
(optional)



Date Code Location  
YY|MM|DD  
year year | month month | day day

## Catalog

## Model

MX1000XTPEE  
MX1000XTPSEE

MX1000XT21CE    MX1000XT21EE  
MX1000XT22CE    MX1000XT22EE  
*(on units after 6/26/2008)*



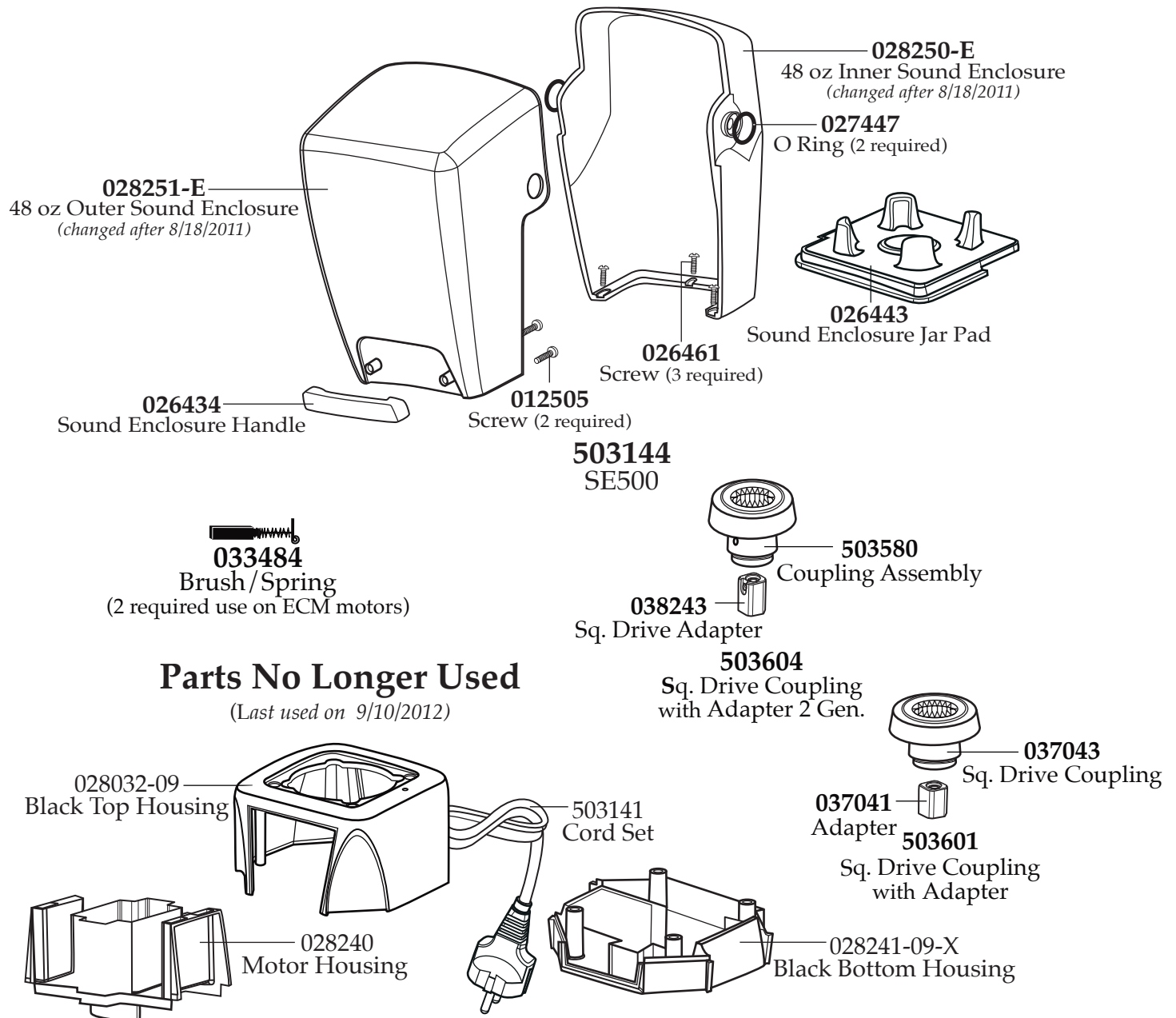
Illustration#	Part#	Description
1	028769-E 026425-E	Jar Lid Cover <i>(on units after 4/14/2008)</i> Jar Lid Cover
2	028768 026424-V	Jar Lid <i>(on units after 4/14/2008)</i> Jar Lid
3	503439 030888 503348 503374 503010	48 oz Jar with Blending Assembly <i>(on units after 2/26/2014)</i> 48 oz. Stackable Raptor Container ONLY <i>(changed after 2/26/2014)</i> 48 oz Jar with Blending Assembly <i>(on units after 2/25/2011 use 503349)</i> 48 oz Jar with Blending Assembly <i>(on units after 7/20/2009)</i> <i>(use 503309) - 503309 (use 503348) - 503348 (use 503439)</i>
4	503601 503604 028538	Drive Coupling with Adapter <i>(on units after 3/29/2022)</i> Drive Coupling with Adapter 2 Gen. <i>(changed 6/1/2021)</i> Drive Coupling
5	026442	Jar Pad
6	035398 028823	Leili Motor without Sensor <i>(on units after 8/18/2017)</i> ECM Motor without Sensor <i>(use 035398 with kit 503382-E-67)</i>
7	038278 026437	Dampening Plate Gasket <i>(on units after 8/25/2022)</i> Dampening Plate Gasket
8	503382-E-67 503382-E	MX Housings, Ferrite Core & Cord <i>(on units after 8/18/2017)</i> MX Housings, Ferrite Core & Cord <i>(on units after 9/10/2012)</i>
9	028541	Motor Foam (2 required)
10	026439	Dampening Plate Bushing (4 required)
11	038486 026453	Dampening Plate Sleeve (4 required <i>on units after 8/25/2022</i> ) Dampening Plate Sleeve (4 required)
12	026459	Washer (2 required)
13	028929	Sems (4 required)
14	036395 033466	Control Panel with Interlock <i>(on units after 2/22/2019)</i> <i>comes with switches-filter board-main board-key board</i> Soft Start Control Panel <i>(changed after 7/22/2013)</i>
15	028248	Top Housing Foam Rear Baffle
16	028249	Top Housing Foam Front Baffle
17		<i>Motor Housing is included with Illustration # 8</i>
18	002943	Washer (3 required)
19	028247	Bottom Housing Foam Baffle
20	028542	Foam Baffle
21	034900	PCB Cushion (4 required <i>on units after 7/18/2019</i> )
22	037232	Flat Neoprene Washer (4 required <i>on units after 7/18/2019</i> )
23	037007	PCB Mounting Bracket (4 required <i>on units after 7/18/2019</i> )
24	013768	Screw (4 required <i>on units after 7/18/2019</i> )
25		<i>Cord is included with Illustration # 8</i>
26	013731	Cable Tie (2 required <i>on units after 8/18/2017</i> ) (3 required <i>on units after 4/14/2008</i> ) - (2 required)
27	007556 035384 007556	Strain Relief <i>(changed after 6/25/2018)</i> Strain Relief <i>(on units after 3/30/2016)</i> Strain Relief

**Catalog**  
 MX1000XTPEE  
 MX1000XTPSEE

**Model**  
 MX1000XT21CE    MX1000XT21EE  
 MX1000XT22CE    MX1000XT22EE  
 (on units after 6/26/2008)

**Waring Factory Service Center**  
 314 Ella T. Grasso Ave.  
 Torrington, CT 06790  
 Tele. 1-800-269-6640  
 Fax 860-496-9017  
 www.waringcommercialproducts.com

Illustration#	Part#	Description
28		Bottom Housing is included with Illustration # 8
29	012505	Screw (4 required)
30	026430	Corner Post (4 required)
31	028928	Sems (4 required)
32	503397 503345	Blade Assembly (on units after 2/26/2014) Blade Assembly
33	024271	O Ring
34	024268	Nut Gasket
35	029631	Bearing Holder Nut (Torque 100-125 in/lbs)



**Parts No Longer Used**  
 (Last used on 9/10/2012)

# Catalog

# Model

MX1000XTPEE  
MX1000XTPSEE

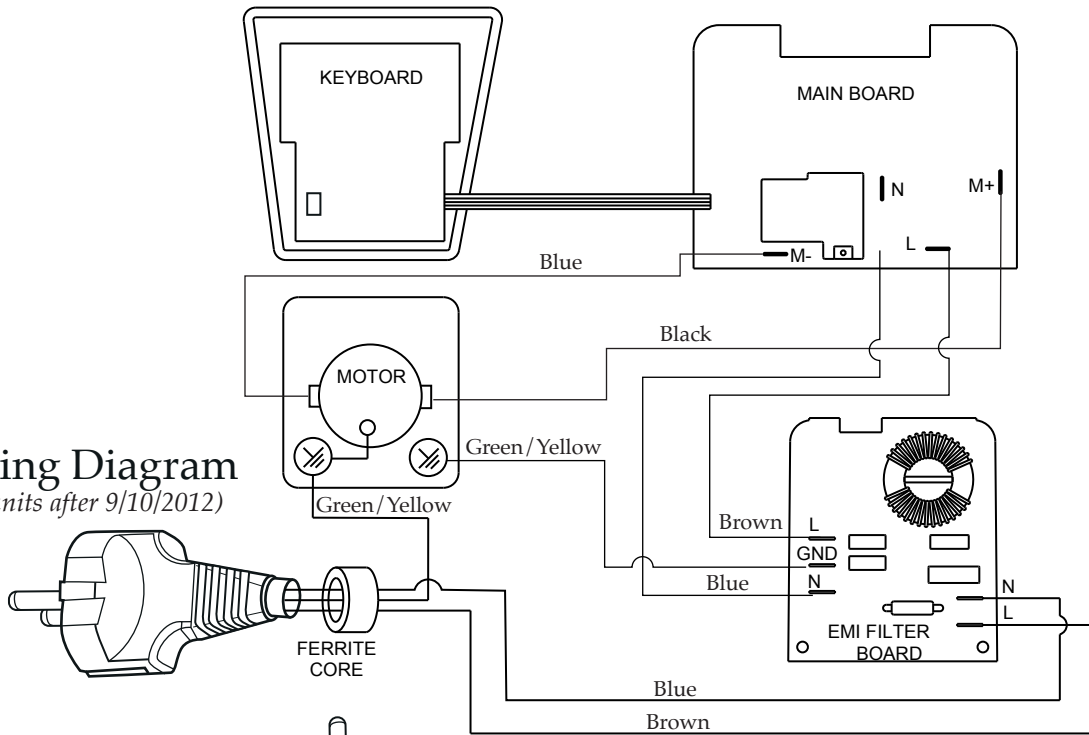
MX1000XT21CE    MX1000XT21EE  
MX1000XT22CE    MX1000XT22EE  
*(on units after 6/26/2008)*

**Waring Factory Service Center**  
314 Ella T. Grasso Ave.  
Torrington, CT 06790  
Tele. 1-800-269-6640

Fax 860-496-9017  
www.waringcommercialproducts.com

## Wiring Diagram

*(on units after 9/10/2012)*



## Wiring Diagram

